

Strain gauge parameters

Nominal resistance:	350 Ω ,
Nominal sensitivity:	1 mV/V
Maximal range of deformation:	2%
Deformation range of the actuator:	0.1 - 0.2 % depending of the actuator type
Temperature range:	-40 ... +150 °C
Recommended supply voltage:	5 V AC or DC Depending of temperature range and heating of the gauge.

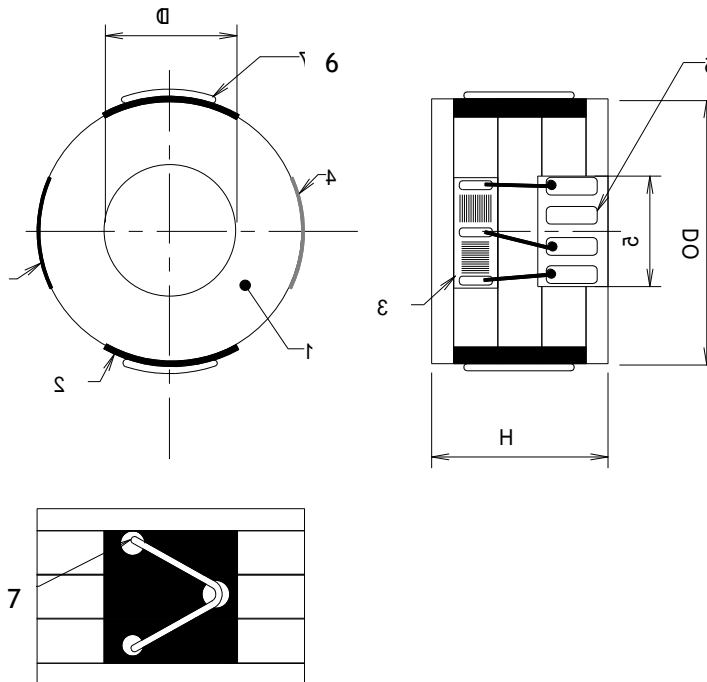


Figure 1 Ring stack actuator equipped with a strain gauge (informative only – might differ from purchased product)
1-Actuator, 2-Silver electrodes, 3- The strain gauge half bridge, 4- Optional strain gauge when some full bridge is required, 5- Terminals, 6-Bus wire, 7 Solder.

Wires from the strain gauge

Colour code of wires is in the following table.

U-	green
U+	brown
Sign.	yellow

Where:

- U+ is supply voltage of the strain gauge which has positive polarity in DC case or direct phase in AC supply case.
- U- is supply voltage of the strain gauge which has negative polarity in DC case or opposite phase in AC supply case.
- Sign. Is signal from the strain gauge.

WARNING

- Due to the fragility of the device it is necessary to be very careful with manipulation;
- Noliac can not be held responsible for damages caused during manipulation or use.

아이티비코퍼레이션 전화 : 02-549-8501 팩스 : 02-549-8502 전자우편 : sales@itbco.co.kr 홈페이지 : www.itbco.co.kr