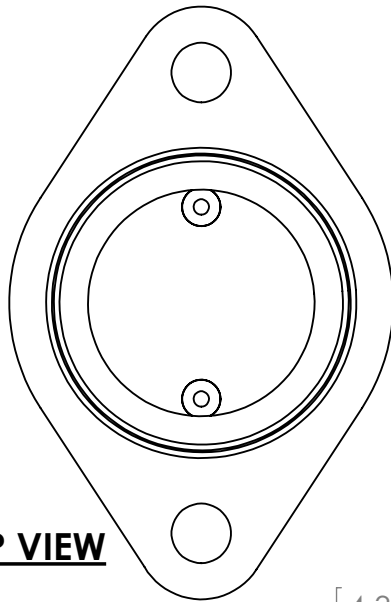
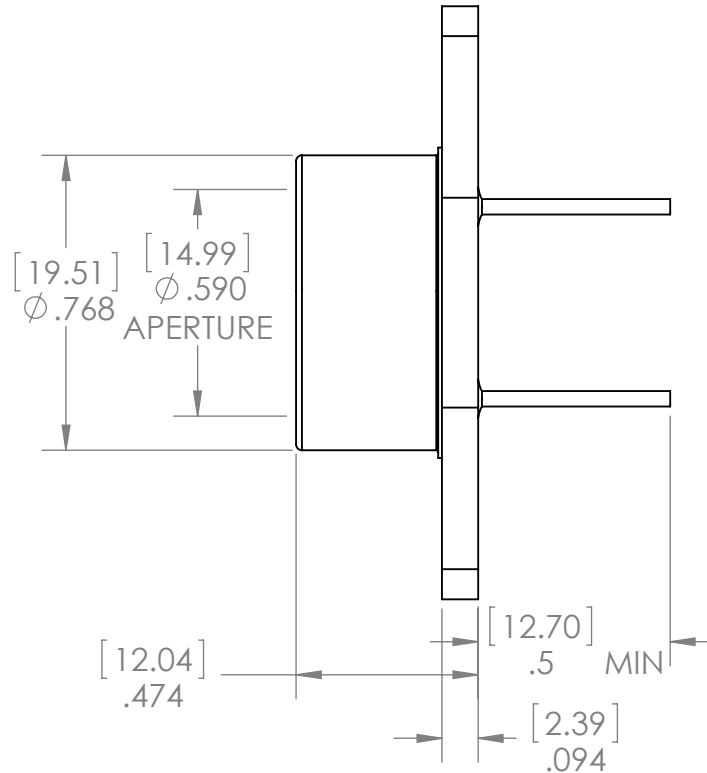


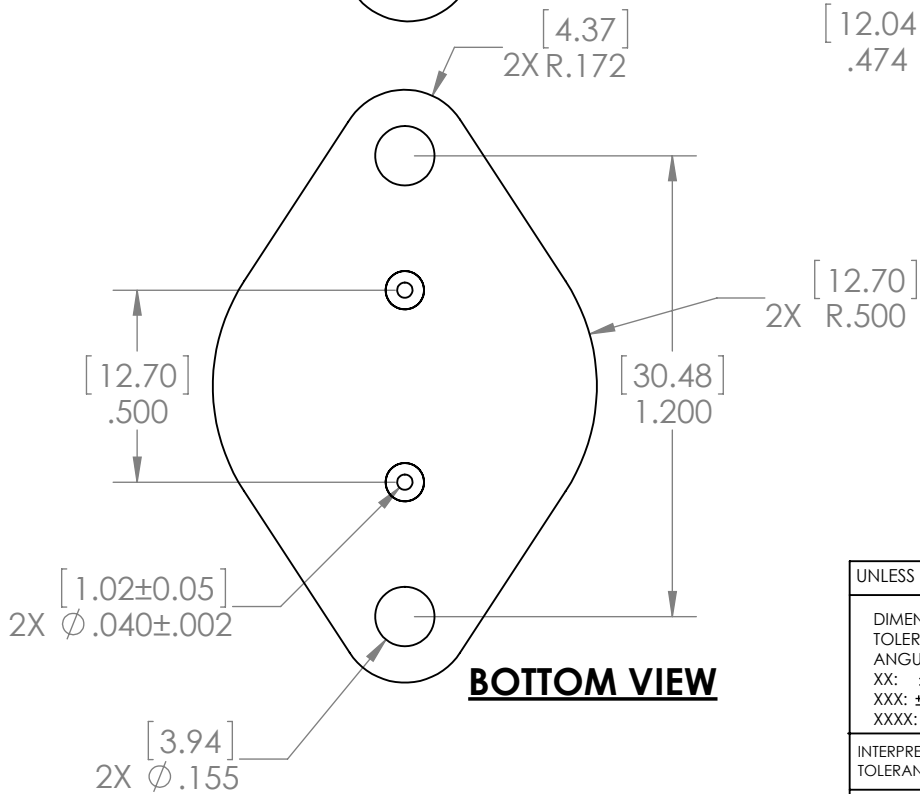
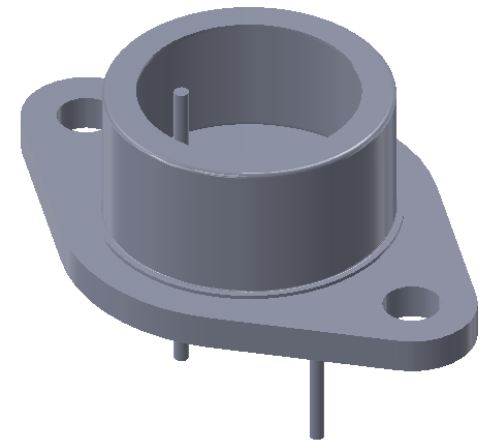
OPTIONS:
 EK-3430: NO WINDOW
 EK-3431: SAPPHIRE WINDOW
 EK-3432: CaF2 WINDOW
 EK-3433: ZnSe WINDOW



TOP VIEW



SIDE VIEW



BOTTOM VIEW

아이티비코퍼레이션
 전화 : 02-549-8501
 팩스 : 02-549-8502
 전자우편 : sales@itbco.co.kr
 홈페이지 : www.itbco.co.kr

UNLESS OTHERWISE SPECIFIED:

DIMENSIONS ARE IN INCHES
 TOLERANCES:
 ANGULAR: MACH ± 2
 XX: ±.015
 XXX: ±.005
 XXXX: ±.0005

INTERPRET GEOMETRIC
 TOLERANCING PER: ANSI Y 14.5M

DO NOT SCALE DRAWING



	NAME	DATE
DRAWN	L SNYDER	12/30/15
ENG APPR.	D WOOD	

COMMENTS:
 MATERIAL:
 CAP: GRADE A NICKEL
 HEADER: STEEL

TITLE: OUTLINE & MOUNTING TO-3 PACKAGE		
SIZE A	DWG. NO. 20030	REV
SCALE: 2:1		SHEET 1 OF 1