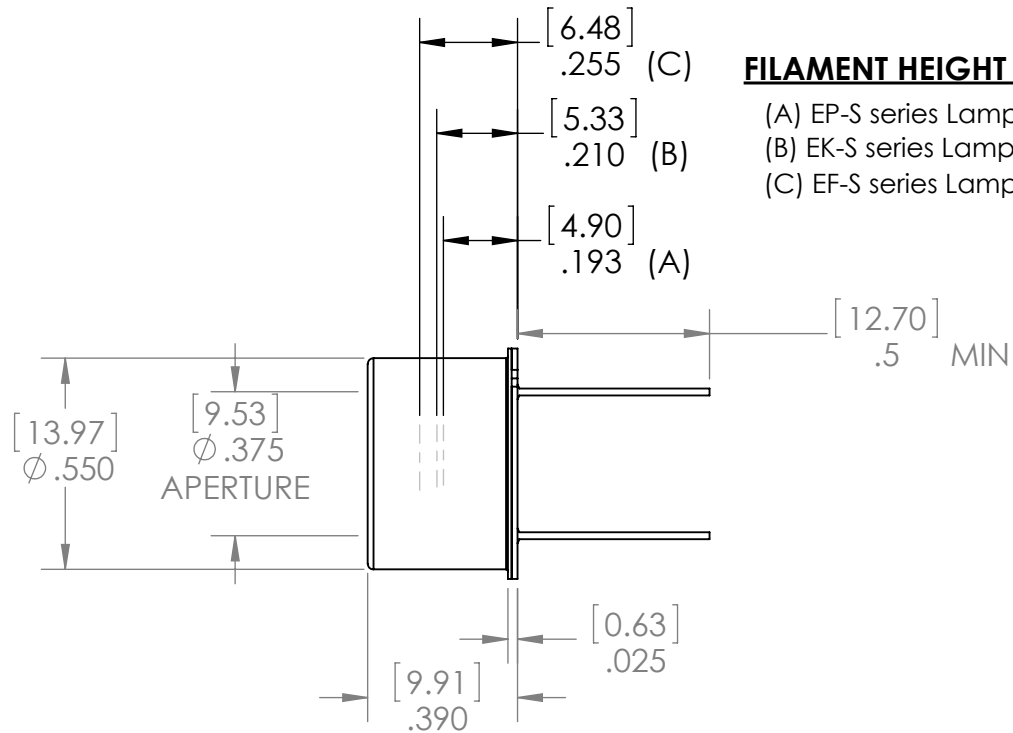
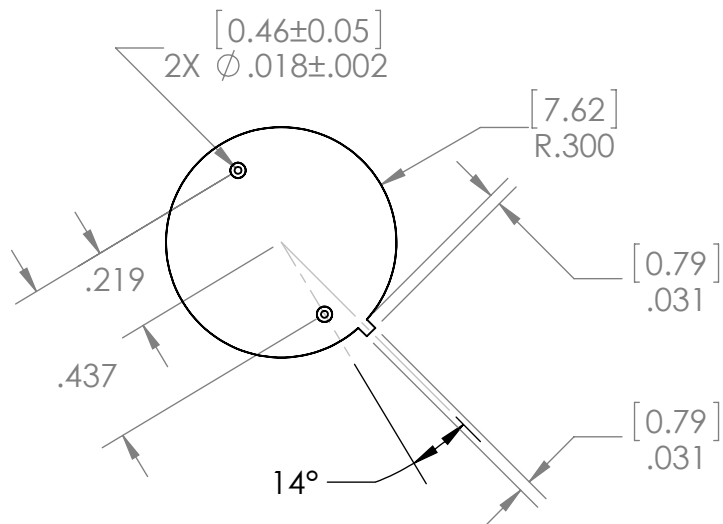
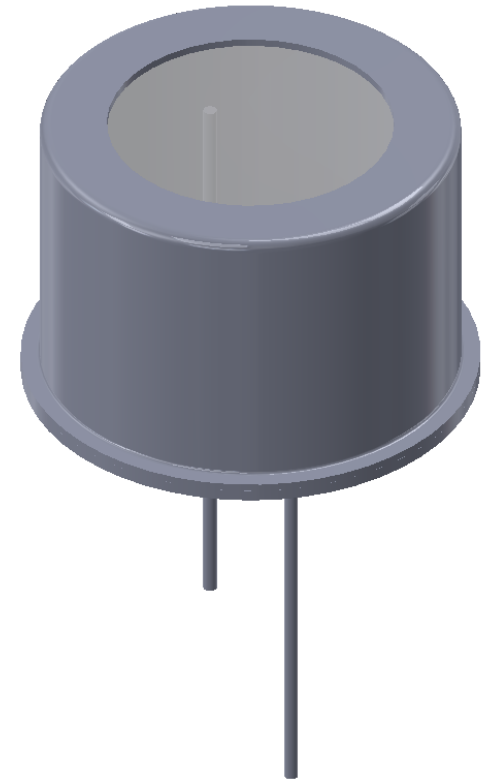


TOP VIEW



SIDE VIEW



BOTTOM VIEW

FILAMENT HEIGHT FROM MOUNTING SURFACE

- (A) EP-S series Lamps- Filament diameter = 0.025in
- (B) EK-S series Lamps- Filament diameter = 0.075in
- (C) EF-S series Lamps- Filament dimensions .250in X.260in

아이티비코퍼레이션
 전화 : 02-549-8501
 팩스 : 02-549-8502
 전자우편 : sales@itbco.co.kr
 홈페이지 : www.itbco.co.kr

UNLESS OTHERWISE SPECIFIED:

DIMENSIONS ARE IN INCHES
 TOLERANCES:
 ANGULAR: MACH ± 2
 XX: ±.015
 XXX: ±.005
 XXXX: ±.0005

INTERPRET GEOMETRIC
 TOLERANCING PER:ANSI Y 14.5M

DO NOT SCALE DRAWING



	NAME	DATE
DRAWN	L SNYDER	12/30/15
ENG APPR.	D WOOD	

COMMENTS:

TITLE: OUTLINE & MOUNTING TO-8 PACKAGE		
SIZE A	DWG. NO. 20013	REV A
SCALE: 4:1		SHEET 1 OF 1