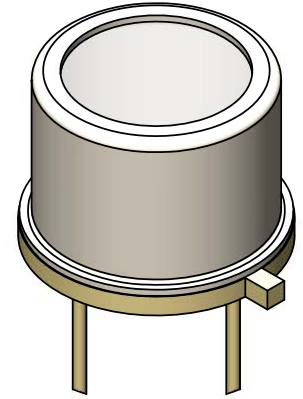
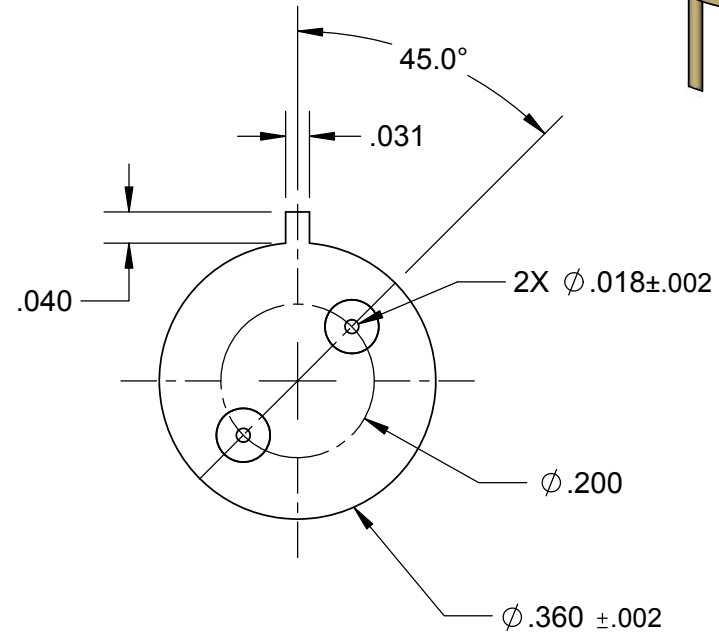
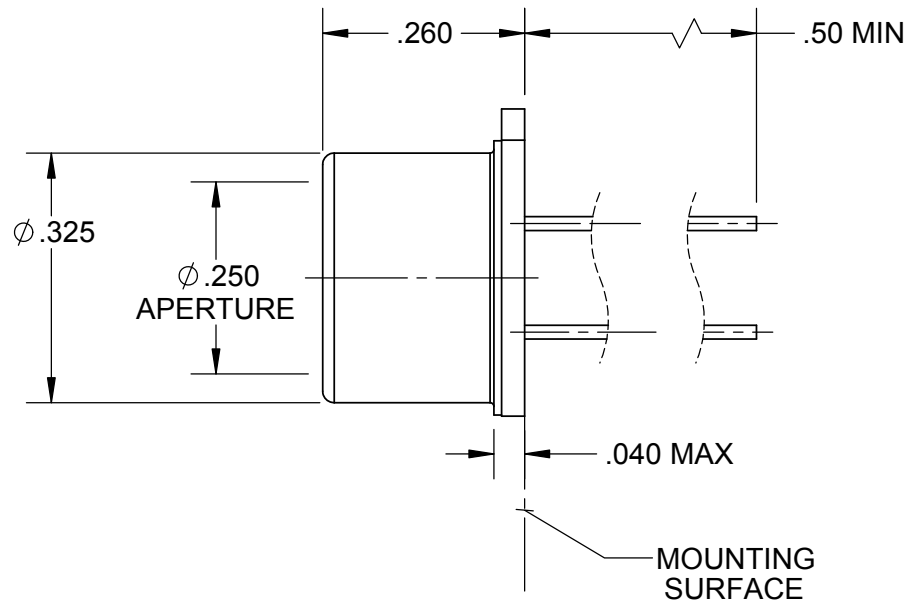


**NOTES:**



아이티비코퍼레이션  
 전화 : 02-549-8501  
 팩스 : 02-549-8502  
 전자우편 : sales@itbco.co.kr  
 홈페이지 : www.itbco.co.kr

		UNLESS OTHERWISE SPECIFIED:		NAME	DATE	<b>HELIOWORKS, INC.</b>		
		DIMENSIONS ARE IN INCHES ± TOLERANCES: XX = .02 XXX = .005 XXXX = .0005 XXXXX = .00005	DRAWN	P.MEAD	05-20-15	TITLE:		
			CHECKED			<b>OUTLINE &amp; MOUNTING TO-5 PACKAGE</b>		
			ENG APPR.	D.WOOD	05-21-15			
			MFG APPR.					
		INTERPRET GEOMETRIC TOLERANCING PER: ANSI Y14.5M	Q.A.			SIZE	DWG. NO.	REV
		MATERIAL	COMMENTS:			<b>A</b>	<b>20024</b>	
NEXT ASSY	USED ON	FINISH				SCALE: 4:1		SHEET 1 OF 1
APPLICATION		DO NOT SCALE DRAWING						